

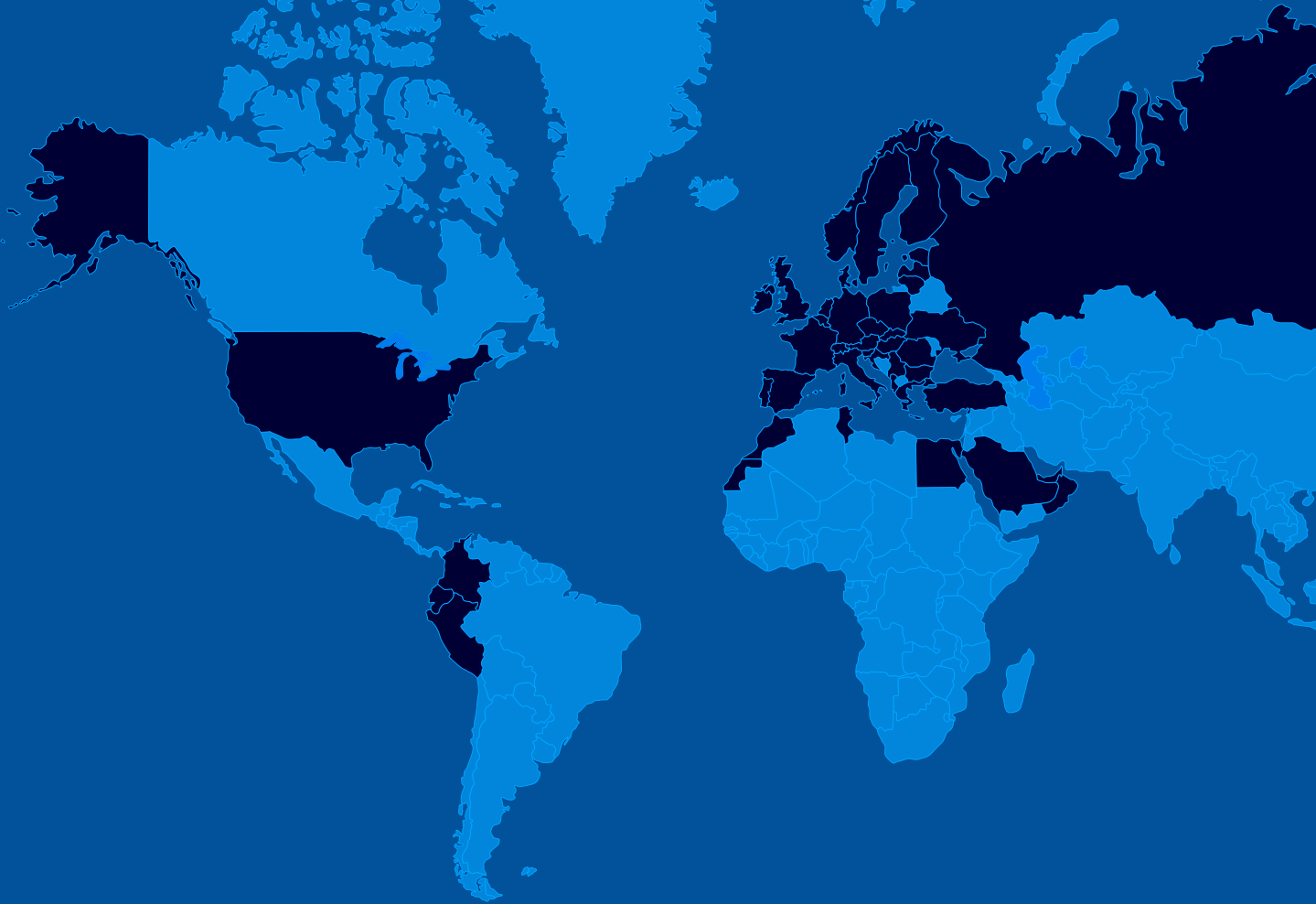
A close-up photograph of several ants on a vibrant green leaf. The ants are dark in color with some reddish-brown segments. One ant is in sharp focus in the foreground, while others are blurred in the background. The leaf's texture and veins are clearly visible.

BIOCIDAL SOLUTIONS

FOR
AMATEUR
USERS

Kwizda

Agro | Biocides



WE PROTECT YOUR PROPERTY FROM PESTS

SINCE 1926 KWIZDA AGRO
BIOCIDES HAS BEEN
DEVELOPING, FORMULATING,
MANUFACTURING AND
REGISTERING INSECTICIDES
FOR PROFESSIONAL AND
AMATEUR USE ON AN
INTERNATIONAL LEVEL



OUR OFFER

RESEARCH

- AMP exclusivity (EU 27) and notifier of new actives
- Entomological expertise with own insectarium and global network
- New green portfolio

DEVELOPMENT

- 25 years Kwizda Agro | Biocides: More than 50 biocide formulations
- 40 years agrochemical: High-end expertise in complex agro-chemical formulations

PRODUCT DESIGN

- 30 BPR applications and dose rate concepts
- Packaging development: >120 packaging alternatives
- Market positioning experience on international level

REGULATORY

- High BRP expertise 12 dossiers based on 4 actives submitted
- 500 product registrations
- 700 international labels

PRODUCTION

- Outstanding quality performance
- High lead-time reaction capabilities
- Multiple packaging lines
- Own production facilities

SALES

- 25 years of market experience
- More than 200 customers
- Sales in over 40 countries
- Full technical support



TABLE OF CONTENTS

ANT CONTROL

- 05 **Gel bait:** AMP 1 RB
- 06 **Gel bait:** DMA 57 RB

ROACH CONTROL

- 07 **Gel bait:** AMP 9/10 RB

FLY CONTROL

- 08 **Granules:** AMP 5 GB
- 09 **Window sticker:** AMP 9 PA

MULTI-INSECT CONTROL

- 10 **Microgranules:** AMP 2 MG
- 11 **Microgranules:** PYR 0.25 PBO 1.25 MG
- 12 **Liquid:** PYR 0.5 CS
- 13 **Liquid:** AMP 2 CL
- 14 **Fumigator:** CYP 72 FD
- 15 **Liquid:** AMP 2 TETRA 1 PBO 4 CL

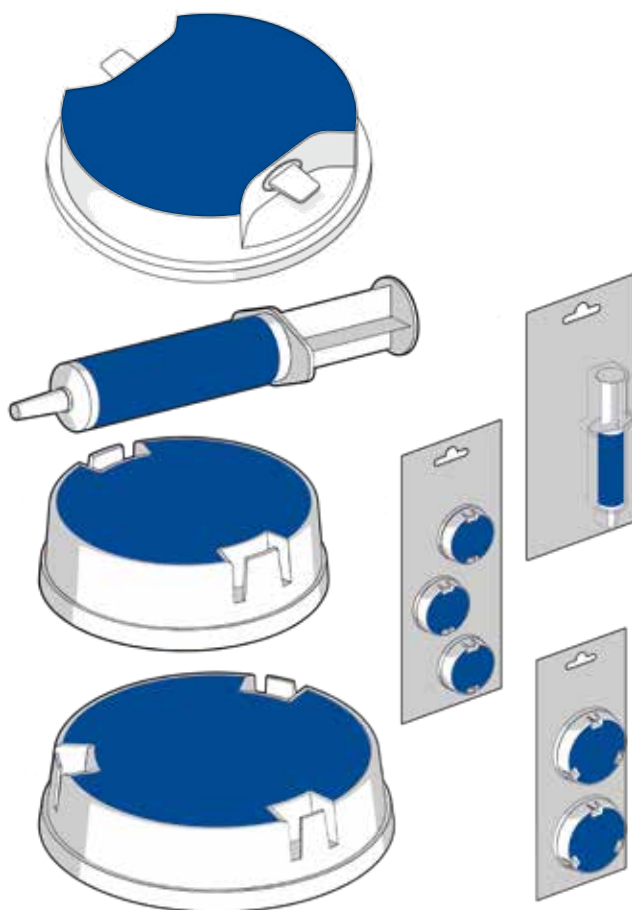
AMP 1 RB

A READY-TO-USE GEL FOR FULL ANT COLONY CONTROL (INCL. QUEEN)



YOUR BENEFITS

- **BPR submitted formulation:**
Secured sales until – at least – 2027
- **Full infestation control:**
Kills the entire colony incl. queen, larvae and workers of all common household ants
- **Excellent palatability:**
Combination of natural food sources (fructose and water based gel) is highly appealing for ants
- **Effective chain effect:**
Slow killing properties of active allow ants to spread the bait throughout entire colony (mouth-to-mouth-feeding via “social stomach”)
- **Top customers in Europe:**
Trusting our formulation since 15 years, good differentiation on the market through various types of packaging



TARGETS

- **Ants:**
Argentine, Black, Erratic and Pavement ant

COMPOSITION

- Acetamiprid: 1 g/kg - PT 18

APPLICATION

- **Box application:**
Indoor: On the ants' path, place 1 to 2 boxes to protect 10m². Up to 1 month of protection.
Outdoor: Around the nest: 1 to 2 boxes in front of entrance tunnel(s)/nest entry(ies).
- **Droplet application:**
Indoor: On the ants' route place drops of 0.1 g (size of a lentil) at regular intervals on ants' routes.
Outdoor: Around the nest: place 2 to 4 spots of 0.5 g (size of a green pea) in front of entrance tunnel(s)/nest entry(ies).

DMA 57 RB

UNIQUE ACTIVE FOR FULL ANT INFESTATION CONTROL



YOUR BENEFITS

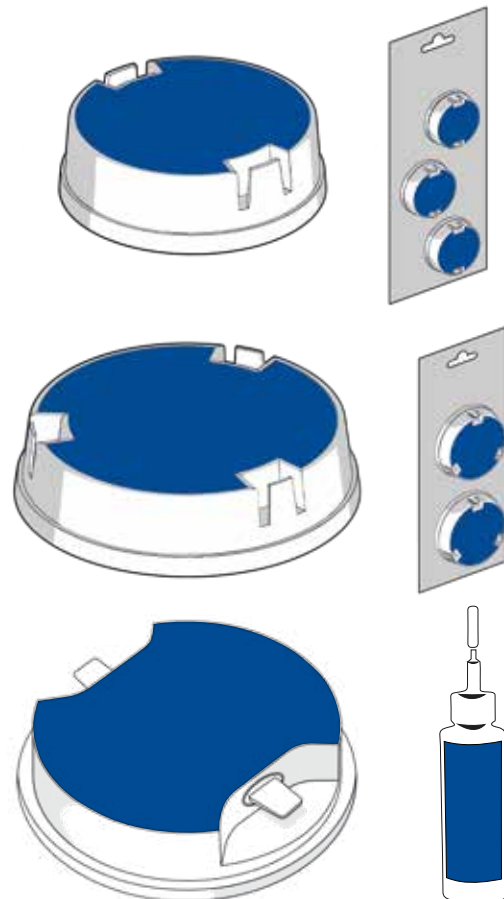
- **Complete control:**
Exploits the natural feeding behavior of ants for rapid colony control and ant nests destruction. Protection up to 4 weeks, destruction of the nest within 2 weeks.
- **Effective chain effect:**
Slow killing properties of active allow ants to spread the bait throughout entire colony (mouth-to-mouth-feeding via "social stomach")
- **Coverage of all food preferences:**
Works on a wide range of ant genus and species either seeking protein or carbohydrate-based food
- **Very palatable formulation:**
Gel is hygroscopic (does not dry out) providing a water source for ants (especially in dry season) and keeps the freshness of the bait for up to 4 weeks
- **A different mode of action:**
Acts in a physical way by dehydrating the body of the insect. Ensures a different mode of action in comparison with the most common active ingredients. Reduces the risk of resistance.

TARGETS

- **Ants:**
Black, Erratic, Oriental monomorium, Pavment, Pharaoh and Pheidiol ant

COMPOSITION

- Sodium cacodylate: 57.5 g/kg -PT18
- Contains a bittering agent to discourage accidental ingestion



APPLICATION

- **Box application:**
Indoor: On the ants' path, place 1 to 2 boxes to protect 10m².
Outdoor: Around the nest: 1 box in front of entrance tunnel(s)/nest entry(ies).
- **Droplet application:**
Indoor: On the ants' route place drops of 0.1 g (size of a lentil) at regular intervals on ants' routes.
Outdoor: Around the nest: place 2 to 4 spots of 0.5 g (size of a green pea) in front of entrance tunnel(s)/nest entry(ies).

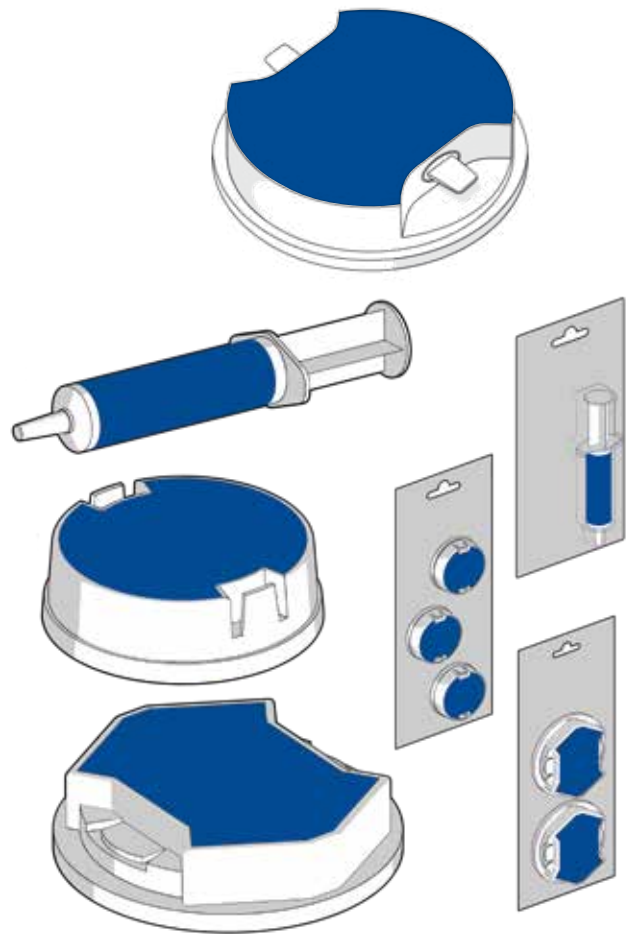
AMP 9 / 10 RB

A READY GEL BAIT SPECIALLY DESIGNED FOR THE CONSUMER MARKET WITH A PROFESSIONAL QUALITY FOR FULL COCKROACH COLONY CONTROL



YOUR BENEFITS

- **BPR submitted formulation:**
Secured sales until – at least – 2027
- **Combination of palatable ingredients:**
Unique mix of 5 palatable ingredients to cover the food preferences of all the common household roaches
- **Colony control - chain effect:**
Slow-acting active allows contaminated roaches to return to their harborage site for unmatched cascade effect
- **High consumption bait:**
A single bait station feeds up to 300 cockroaches leading to a massive domino effect
- **Long lasting effect:**
Long lasting properties with efficacy for up to 3 months



TARGETS

- **Roaches:**
American, German and Oriental cockroach
- **Crawling:**
Silverfish

COMPOSITION

- Acetamiprid: 9g/kg or 10 g/kg - PT18
- Contains a bittering agent to discourage accidental ingestion

APPLICATION

- **Box application:**
1-4 boxes depending on the level of infestation.
Do not hesitate to move the box if the gel is not consumed.
- **Droplet application:**
Apply 0.03 g drops (lentil size), maximum 0,3 g per m² depending on the level of infestation.

AMP 5 GB

A READY TO USE BAIT BOX FOR HOUSE FLY CONTROL
BASED ON PROFESSIONAL FORMULATION SOLD IN
FARM HYGIENE

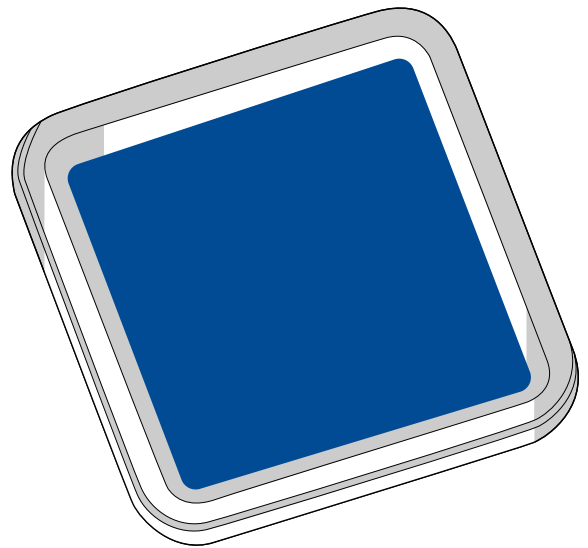


YOUR BENEFITS

- **BPR submitted formulation:**
Secured sales until – at least – 2027
- **High performance:**
Professional product for household insecticide usage

Contains 3 attractants for flies:
Sugar, Cheese and Sexual Pheromone (Z-9-Tricosene)

Powerful formulation designed for animal health segment
(blow fly control) ensures fast killing effect and full control
- **Safe use - no risk of human exposure:**
Granules are protected inside the box, not possible to
open the cage. Consumer not able to come into contact
with granules
- **Long lasting protection:**
The bait remain active up to 3 months. Protection for the
entire fly season (spring – summer)



TARGETS

- **Flying:**
Blow and house fly

COMPOSITION

- Acetamiprid: 5 g/kg - PT 18
- Cheese: 10g/kg - PT 19
- Contains a bittering agent to discourage accidental
ingestion

APPLICATION

- Specially designed bait station for the consumer market
to minimize the risk of human exposure.
- 1 bait to protect a room of 5 m².

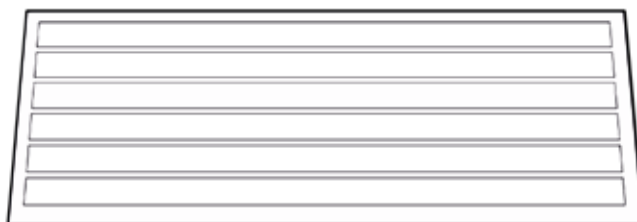
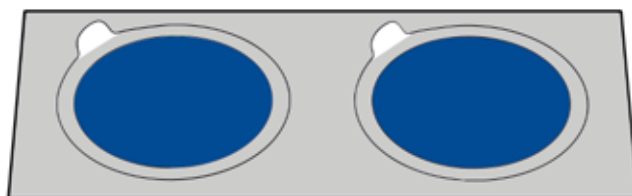
AMP 9 PA

STICKER FOR INDOOR FLY CONTROL.
INVISIBLE AND DISCREET PROTECTION
FOR EVERY ROOM



YOUR BENEFITS

- **BPR submitted formulation:**
Secured sales until – at least – 2027
- **Strong and long lasting effect:**
Short contact sufficient to contaminate and kill the fly. Full efficacy throughout the summer (up to 6 months)
- **Highly attractive for flies:**
Natural palatable food source combined to a pattern of colours specifically designed for flies
- **Safe and easy to use - BPR compliant:**
Specially designed to not touch the treated surface, no risk of exposure. No risk of insecticidal contamination of the treated area
- **Discreet:**
Flies do not stick to the sticker, odorless and neutral design



TARGETS

- **Flying:**
House fly

COMPOSITION

- 9 g/kg of acetamiprid - PT 18
- 30 g/kg of D-fructose - PT 19
- Contains a bittering agent to discourage accidental ingestion

APPLICATION

- **No risk of exposure during application and removal:**
Untreated borders to apply and remove the product without risk of exposure to the insecticide. Pictograms to clearly identify the touchable area.
1 round sticker to protect 12 m²
2 rectangular stickers to protect 12 m²

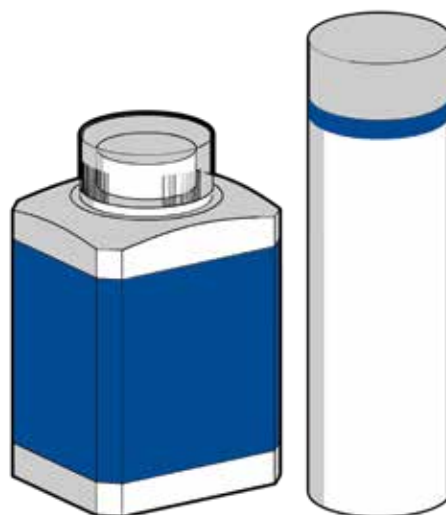
AMP 2 MG

READY-TO-USE WETTABLE MICRO GRANULES
FOR CRAWLING INSECT CONTROL



YOUR BENEFITS

- **BPR submitted formulation:**
Secured sales until – at least – 2027
- **Safe use - very low dust emission:**
Micro granular technology without dust emission, strong alternative to powders
- **High performing formulation:**
Contamination of ants and roaches via contact (static properties of micro granules) and ingestion (natural grooming behavior of insects)
- **High palatability:**
Sugar based formulation helps to attract the crawling insects on the bait
- **Effective chain effect:**
Slow killing properties of active allow ants to spread the bait throughout entire colony (mouth-to-mouth-feeding via "social stomach")
- **Flexible application:**
Application by scattering, watering or spraying for indoor and outdoor use



TARGETS

- **Ants:**
Black ant
- **Roaches:**
American, German and Oriental cockroach
- **Crawling:**
Silverfish

COMPOSITION

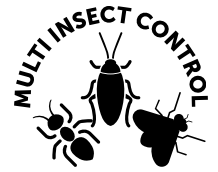
- Acetamiprid: 2 g/kg - PT18
- Contains a bittering agent to discourage accidental ingestion

APPLICATION

- **Scattering:**
fine layer at the rate of 20 g/m²
- **Spray:**
mix 100 g with 1 l of water
- **Watering:**
Mix 20g in 1 l of water (1 l per m²), for ant nest control – only outdoor use

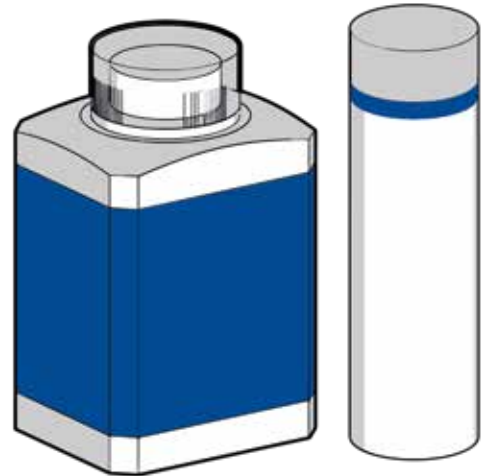
PYR 0.25 PBO 1.25 MG

READY-TO-USE WETTABLE MICRO GRANULES
BASED ON PLANT-ORIGIN ACTIVE FOR CRAWLING
INSECT CONTROL



YOUR BENEFITS

- **Pure natural origin active:**
Natural Pyrethrum made from the dried flower heads of *Chrysanthemum cinerariifolium*
- **Zero Dust Emission:**
Micro granular technology with no dust emission for indoor usage. Reduced risk of insecticidal contamination of the surroundings
- **High performance formulation:**
Contamination of ants, roaches and fleas via contact (static properties of micro granules) and ingestion (natural grooming behavior of insects) up to 12 weeks
- **Easy to use:**
Specially designed for the consumer market, application by scattering, watering or spraying



TARGETS

- **Ants:**
Argentine, Black and Pharaoh ant
- **Roaches:**
American, Brownbanded, German and Oriental cockroach
- **Crawling:**
Cat flea, tick

APPLICATION

- **Scattering:**
fine layer at the rate of 20 g/m²
- **Spray:**
mix 100 g with 1 l of water
- **Watering:**
Mix 20g in 1 l of water (1 l per m²)

COMPOSITION

- *Chrysanthemum cinerariaefolium*, ext.: 0.25 g/kg – PT 18
- Piperonyl butoxide: 1.25 g/kg – PT 18
- Contains a bittering agent to discourage accidental ingestion

PYR 0.5 CS

READY TO USE LIQUID BASED ON PLANT-ORIGIN
ACTIVE FOR LONG LASTING EFFECT



YOUR BENEFITS

- **Flower-based active:**
Chrysanthemum extracted by supercritical CO₂ extraction
(Also used in the food industry)
- **Long lasting effect - 1 month:**
The advanced micro encapsulating technology
protects the active and allows a controlled release
- **Powerful booster mix:**
Formulation includes a complex that weakens the
natural cuticle protection for an increased uptake of the
active. No PBO added
- **Effective RTU with flower-based active substance:**
Wide spectrum of efficacy, on crawling and flying insects
- **BPR submission in preparation**



TARGETS

- **Mosquitoes:**
Common and tiger mosquito
- **Flying:**
House fly, wasps
- **Roach:**
American, Brownbanded and Oriental cockroach
- **Ants:**
Black and Pharaoh ant
- **Crawling:**
Silverfish, spider, Stink bugs

COMPOSITION

- Pure chrysanthemum cinerariaefolium extract from open and mature flowers of Tanacetum cinerariifolium obtained with supercritical carbondioxide: 0.5 g/l - PT 18
- Contains a bittering agent to discourage accidental ingestion

APPLICATION

- **Direct spray:**
1 to 3 pumps (approximately 2 ml)
- **Surface treatment:**
50 ml/m² // 75 ml/m²

AMP 2 CL

A READY TO USE LIQUID SOLUTION FOR THE CONTROL OF A BROAD RANGE OF CRAWLING INSECTS, FLYING INSECTS AND MITES



YOUR BENEFITS

- **BPR submitted formulation:**
Secured sales until – at least – 2027
- **Multi target control:**
Very wide spectrum of efficacy on crawling and flying insects (tested on 24 insects) via surface treatment
- **Water based formulation:**
No smell, no stain, non corrosive, non-flammable.
Formulation contains 98% freshwater
- **Easy to use:**
Household friendly, pet friendly (can be used in presence of cats), very low odor, can be applied in and around the house.
- **Long lasting effect:**
Long lasting properties with efficacy up to 3 months



TARGETS

- **Mosquitoes:**
Common, Tiger, Tropical and Yellow fever mosquito
- **Flying:**
House, Fruit fly and Stable fly, wasp
- **Roach:**
American, German and Oriental cockroach
- **Ants:**
Argentine, Black and Pharaoh ant
- **Crawling:**
Bed bug, Carpet beetle, Cat flea, Earwig, House spider, Itch mite

COMPOSITION

- Acetamiprid: 2 g/l - PT 18

APPLICATION

- **Surface treatment (insect barrier):**
50ml per m²

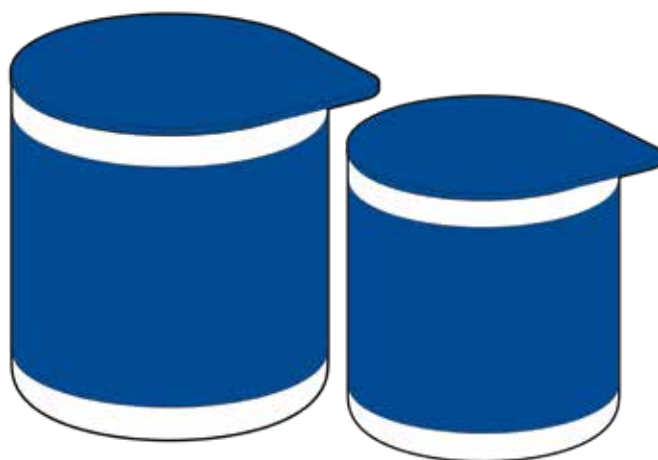
FUMIGATOR

THE HYDRO-REACTIVE FUMIGATOR FOR
INSECTICIDE VOLUME TREATMENT



YOUR BENEFITS

- **Innovation:**
Hydro reactive technology: no propellant gas, no fire, no wick, no risk of explosion
- **Formula:**
The exothermic reaction diffuses a dry fog which contains the active ingredient to penetrate every crack and crevice. Eradicates insects wherever they harbour.
- **Versatility:**
High efficacy on the most persistent indoor crawling and flying insects
- **Action:**
Immediate Knock down and flush out effect
- **Lethal effect:**
2-4 hours for a complete killing, results immediately visible



TARGETS

- **Flying:**
Clothes and Flour moth, House and Stable fly, wasps, Yellow fever, Tiger and Common mosquito
- **Crawling:**
Bed bug, Black and Pharaoh ant, Carpet beetle, Cat flea, Dark litter and flour beetle, House dust mites and spider, American, German and Oriental cockroaches, Red Poultry mite, silverfish

COMPOSITION

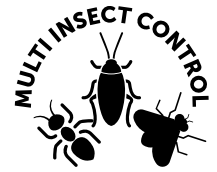
- Cyphenothrin: 72 g/kg - PT18

APPLICATION

- Only Indoor
- **Recommended dose**
Crawling insects:
1 fumigator of 10 g for 25 m² or 65 m³
1 fumigator of 20 g for 50 m² or 130 m³
Flying insects:
1 fumigator of 10 g for 50 m² or 130 m³
1 fumigator of 20 g for 100 m² or 260 m³

AMP 2 D-TETRA 1 PBO 4 CL

A READY TO USE LIQUID FOR THE CONTROL OF FLYING AND CRAWLING INSECTS



YOUR BENEFITS

- **Versatility:**
High efficacy on a broad spectrum of crawling and flying insects
- **Premium Formula:**
Combines several active substances, limit the development of resistance in many insects
- **Action:**
Strong knockdown effect
- **Lethal effect:**
Effective and fast killing effect
- **Long lasting effect:**
Up to 3 months
- **Use:**
In and around buildings as a curative or preventive treatment



TARGETS

- **Mosquitoes:**
House, Tiger and Yellow fever mosquito
- **Flying:**
Flour and Cloth moth, House fly, hornet, wasp
- **Cockroaches:**
American, German and Oriental cockroach
- **Crawlings:**
Bed bug, Black ant, Cat flea, Dark litter and flour beetle, House dust, Itch and Red Poultry mite, House spider

COMPOSITION

- Acetamiprid 2 g/l - PT18
- D-Tetramethrin: 1 g/l - PT18
- Piperonyl butoxide: 4 g/l - PT 18

APPLICATION

- Surface treatment (insect barrier):
50 ml per m²



KWIZDA AGRO GMBH

Universitätsring 6
1010 Vienna

Kwizda

Agro | Biocides

WWW.KWIZDA-BIOCIDES.COM

Use biocides safely. Always read the label and product information before use.